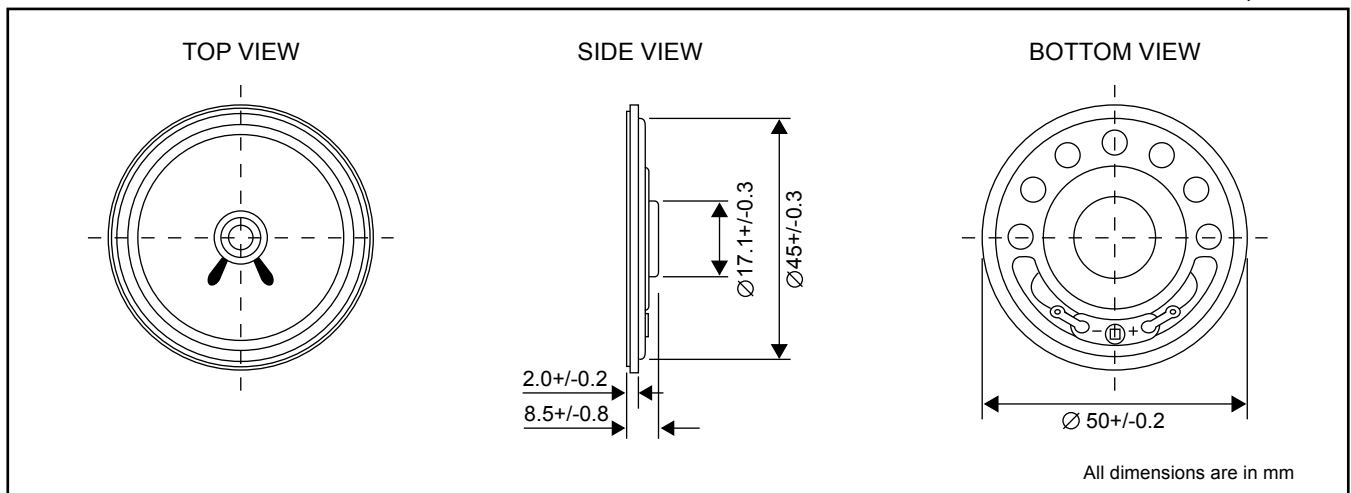


Loud Speaker

LSI50 Series

DIMENSIONS

Date : 19 Oct., 2012



Ref. no. : CX042-R



ELECTRICAL SPECIFICATIONS

Model No.	LSI50-42R
Diameter	50 +/- 0.2 mm
Height	8.5 +/- 0.8 mm
Back Dia.	17.1 +/- 0.3 mm
Output S.P.L.	88 +/- 3 dB [At 1.0W/1.0m ave. 0.8K, 1.0K, 1.2K, 1.5K Hz]
Impedance	8 ohm +/- 15%
Resonant Freq. [Fo]	600 Hz +/- 25%
Freq. Response	Fo ~ 5000 Hz
Rated Input Power	1.5 W
Max. Input Power	2.0 W
Buzzer & Rattles	Must Be Normal [Sine Wave 2.83 V, Fo ~ 10K Hz]
Load Test	Must Be Normal [White Noise 1.0 W, 24 Hours]
Heat Test	Must Be Normal [55 +/- 3 °C, 96 Hours]
Cold Test	Must Be Normal [-20 +/- 3 °C, 96 Hours]
Humidity Test	40 +/- 3 °C, 90 ~ 95% R.H. 96 Hours
Case Material	Metal
Magnet	Internal Magnet - NdFeB
Operating Temperature	-20 ~ +60 °C
Storage Temperature	-40 ~ +80 °C
Weight	15 g